



FIBOX – Solutions for demanding environments

Fibox ARCA

Fibox's new ARCA non-metallic enclosures provide users of classic electrical junction boxes an easy upgrade path to a high performance enclosure featuring 21st century technology. Precision, injection molded, ARCA enclosures feature excellent chemical resistance and the wide temperature utilization range of polycarbonate plastic. Available in classic JIC sizes, these enclosures feature industry standard dimensions and panels.



ARCA



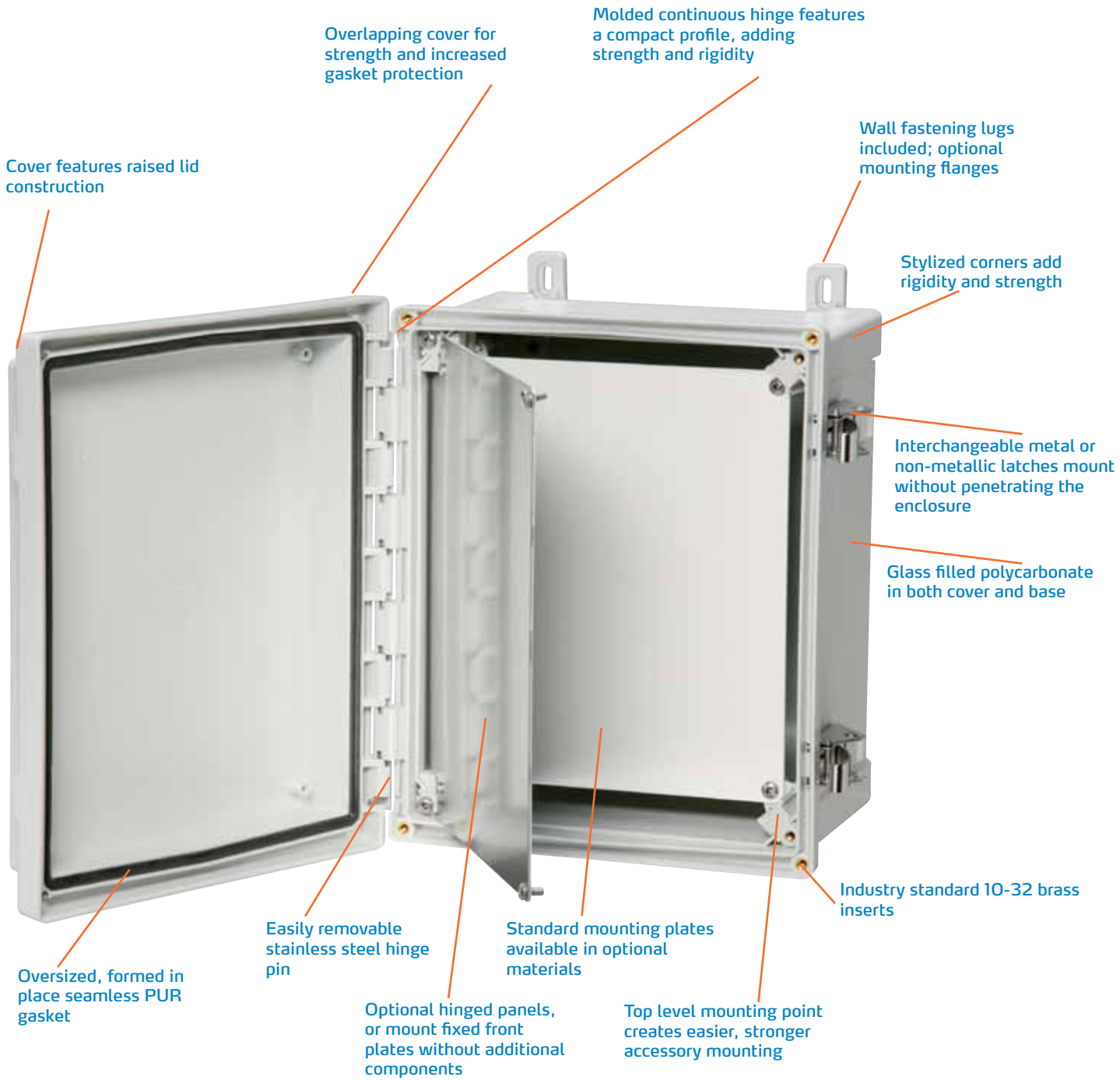
Robust molded continuous hinge



Variety of latch options



Variable depth panel mounting





ARCA AR 664

6 x 6

UL Type 4, 4X, 6, 6P, 12 and 13

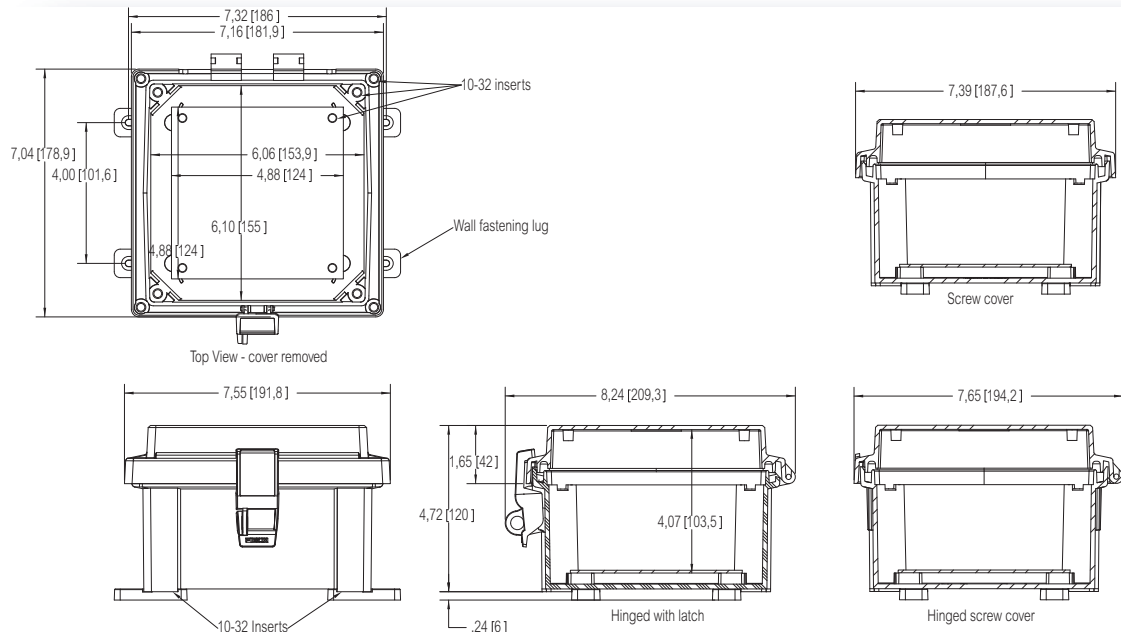
Including: 10-32 brass inserts, cover with formed in place PUR gasket. Enclosure mounting foot kit. 10-32 screws for panel mounting. Screw cover versions with 4 stainless cover screws. Hinged screw cover versions with stainless hinge pin and 2 cover screws. Hinged cover versions with latched cover and stainless hinge pin. Quick release latches. (Latch options available.)

Enclosures

| Order symbol | Dimensions inch | Dimensions mm | Description |
|--------------|-----------------|-----------------|--|
| AR664SC | 6 x 6 x 4 | 152 x 152 x 102 | PC Enclosure • Opaque screw cover |
| AR664CHSC | 6 x 6 x 4 | 152 x 152 x 102 | PC Enclosure • Hinged opaque screw cover |
| AR664CHL | 6 x 6 x 4 | 152 x 152 x 102 | PC Enclosure • Hinged opaque cover w/Plastic quick release latch |
| AR664CHSSL | 6 x 6 x 4 | 152 x 152 x 102 | PC Enclosure • Hinged opaque cover w/S.S. Lockable latch |
| AR664CHSS | 6 x 6 x 4 | 152 x 152 x 102 | PC Enclosure • Hinged opaque cover w/S.S. Quick release latch |
| AR664CHTSS | 6 x 6 x 4 | 152 x 152 x 102 | PC Enclosure • Hinged opaque cover w/S.S. Lockable twist latch |
| AR664SCT | 6 x 6 x 4 | 152 x 152 x 102 | PC Enclosure • Transparent screw cover |
| AR664CHSCT | 6 x 6 x 4 | 152 x 152 x 102 | PC Enclosure • Hinged transparent screw cover |
| AR664CHLT | 6 x 6 x 4 | 152 x 152 x 102 | PC Enclosure • Hinged transparent cover w/Plastic quick release launch |
| AR664CHSSLT | 6 x 6 x 4 | 152 x 152 x 102 | PC Enclosure • Hinged transparent cover w/S.S. Lockable latch |
| AR664CHSST | 6 x 6 x 4 | 152 x 152 x 102 | PC Enclosure • Hinged transparent cover w/S.S. Quick release latch |
| AR664CHTSST | 6 x 6 x 4 | 152 x 152 x 102 | PC Enclosure • Hinged transparent cover w/S.S. Lockable twist latch |

Accessories

| Order symbol | Dimensions inch | Dimensions mm | Description |
|--------------|-----------------|---------------|---|
| APBP66 | 4.9 x 4.9 | 124 x 124 | PVC Back Panel |
| ABP66 | 4.9 x 4.9 | 124 x 124 | Painted Steel Back Panel |
| ALBP66 | 4.9 x 4.9 | 124 x 124 | Aluminum Back Panel |
| ADFP66 | 6.1 x 6.2 | 155 x 157 | Dead Front Panel w/ screws |
| ASPK66 | | | Hinged Panel Kit incl. AL Panel |
| ASPHK6 | | | Hinged Panel Kit w/o Panel |
| AMFL6 | | | Mounting Flange Set for 6" Wide Enclosure |



ARCA AR 865

8 x 6

UL Type 4, 4X, 6, 6P, 12 and 13



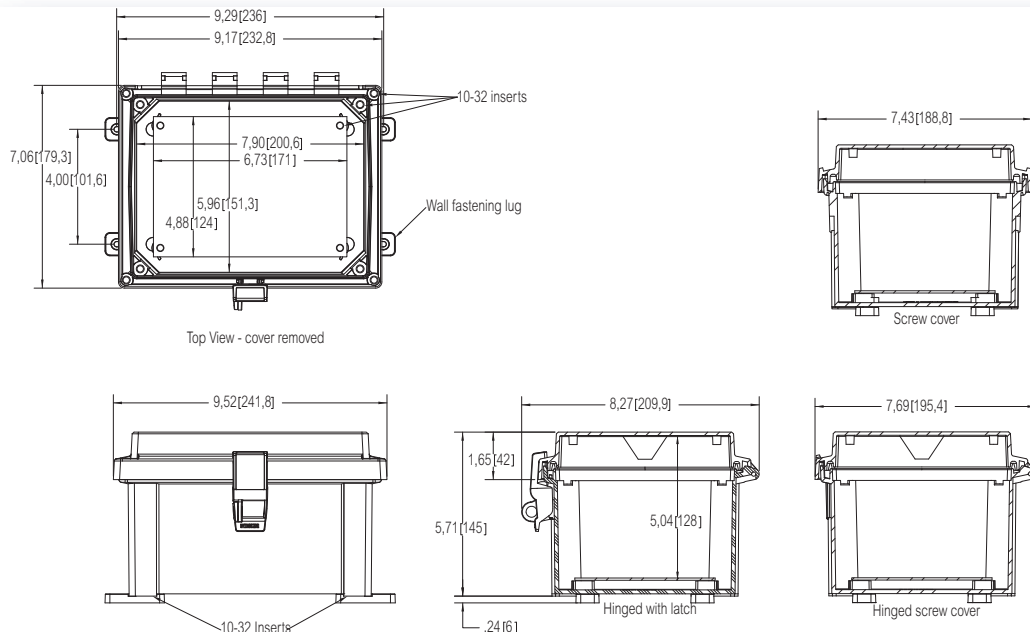
Including: 10-32 brass inserts, cover with formed in place PUR gasket. Enclosure mounting foot kit. 10-32 screws for panel mounting. Screw cover versions with 4 stainless cover screws. Hinged screw cover versions with stainless hinge pin and 2 cover screws. Hinged cover versions with latched cover and stainless hinge pin. Quick release latches. (Latch options available.)

Enclosures

| Order symbol | Dimensions inch | Dimensions mm | Description |
|--------------|-----------------|-----------------|--|
| AR865SC | 8 x 6 x 5 | 203 x 152 x 127 | PC Enclosure • Opaque screw cover |
| AR865CHSC | 8 x 6 x 5 | 203 x 152 x 127 | PC Enclosure • Hinged opaque screw cover |
| AR865CHL | 8 x 6 x 5 | 203 x 152 x 127 | PC Enclosure • Hinged opaque cover w/Plastic quick release latch |
| AR865CHSSL | 8 x 6 x 5 | 203 x 152 x 127 | PC Enclosure • Hinged opaque cover w/S.S. Lockable latch |
| AR865CHSS | 8 x 6 x 5 | 203 x 152 x 127 | PC Enclosure • Hinged opaque cover w/S.S. Quick release latch |
| AR865CHTSS | 8 x 6 x 5 | 203 x 152 x 127 | PC Enclosure • Hinged opaque cover w/S.S. Lockable twist latch |
| AR865SCT | 8 x 6 x 5 | 203 x 152 x 127 | PC Enclosure • Transparent screw cover |
| AR865CHSCT | 8 x 6 x 5 | 203 x 152 x 127 | PC Enclosure • Hinged transparent screw cover |
| AR865CHLT | 8 x 6 x 5 | 203 x 152 x 127 | PC Enclosure • Hinged transparent cover w/Plastic quick release launch |
| AR865CHSSLT | 8 x 6 x 5 | 203 x 152 x 127 | PC Enclosure • Hinged transparent cover w/S.S. Lockable latch |
| AR865CHSST | 8 x 6 x 5 | 203 x 152 x 127 | PC Enclosure • Hinged transparent cover w/S.S. Quick release latch |
| AR865CHTSST | 8 x 6 x 5 | 203 x 152 x 127 | PC Enclosure • Hinged transparent cover w/S.S. Lockable twist latch |

Accessories

| Order symbol | Dimensions inch | Dimensions mm | Description |
|--------------|-----------------|---------------|---|
| APBP86 | 6.9 x 4.9 | 175 x 124 | PVC Back Panel |
| ABP86 | 6.9 x 4.9 | 175 x 124 | Painted Steel Back Panel |
| ALBP86 | 6.9 x 4.9 | 175 x 124 | Aluminum Back Panel |
| ADFP86 | 6.2 x 8.1 | 157 x 205 | Dead Front Panel w/ screws |
| ASPK86 | | | Hinged Panel Kit incl. AL Panel |
| ASPHK8 | | | Hinged Panel Kit w/o Panel |
| AMFL6 | | | Mounting Flange Set for 6" Wide Enclosure |



ARCA AR 884

8 x 8

UL Type 4, 4X, 6, 6P, 12 and 13



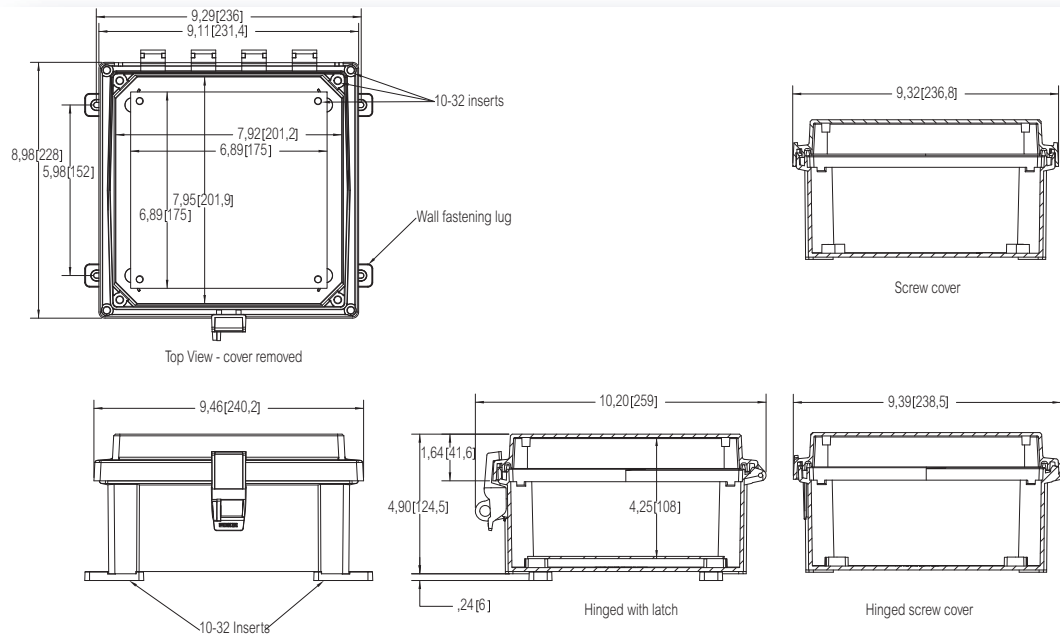
Including: 10-32 brass inserts, cover with formed in place PUR gasket. Enclosure mounting foot kit. 10-32 screws for panel mounting. Screw cover versions with 4 stainless cover screws. Hinged screw cover versions with stainless hinge pin and 2 cover screws. Hinged cover versions with latched cover and stainless hinge pin. Quick release latches. (Latch options available.)

Enclosures

| Order symbol | Dimensions inch | Dimensions mm | Description |
|--------------|-----------------|-----------------|---|
| AR884SC | 8 x 8 x 4 | 203 x 203 x 102 | PC Enclosure • Opaque screw cover |
| AR884CHSC | 8 x 8 x 4 | 203 x 203 x 102 | PC Enclosure • Hinged opaque screw cover |
| AR884CHL | 8 x 8 x 4 | 203 x 203 x 102 | PC Enclosure • Hinged opaque cover w/Plastic quick release latch |
| AR884CHSSL | 8 x 8 x 4 | 203 x 203 x 102 | PC Enclosure • Hinged opaque cover w/S.S. Lockable latch |
| AR884CHSS | 8 x 8 x 4 | 203 x 203 x 102 | PC Enclosure • Hinged opaque cover w/S.S. Quick release latch |
| AR884CHTSS | 8 x 8 x 4 | 203 x 203 x 102 | PC Enclosure • Hinged opaque cover w/S.S. Lockable twist latch |
| AR884SCT | 8 x 8 x 4 | 203 x 203 x 102 | PC Enclosure • Transparent screw cover |
| AR884CHSCT | 8 x 8 x 4 | 203 x 203 x 102 | PC Enclosure • Hinged transparent screw cover |
| AR884CHLT | 8 x 8 x 4 | 203 x 203 x 102 | PC Enclosure • Hinged transparent cover w/Plastic quick release latch |
| AR884CHSSLT | 8 x 8 x 4 | 203 x 203 x 102 | PC Enclosure • Hinged transparent cover w/S.S. Lockable latch |
| AR884CHSST | 8 x 8 x 4 | 203 x 203 x 102 | PC Enclosure • Hinged transparent cover w/S.S. Quick release latch |
| AR884CHTSST | 8 x 8 x 4 | 203 x 203 x 102 | PC Enclosure • Hinged transparent cover w/S.S. Lockable twist latch |

Accessories

| Order symbol | Dimensions inch | Dimensions mm | Description |
|--------------|-----------------|---------------|---|
| APBP88 | 6.9 x 6.9 | 175 x 175 | PVC Back Panel |
| ABP88 | 6.9 x 6.9 | 175 x 175 | Painted Steel Back Panel |
| ALBP88 | 6.9 x 6.9 | 175 x 175 | Aluminum Back Panel |
| ADFP88 | 6.9 x 6.9 | 175 x 175 | Dead Front Panel w/ screws |
| ASPK88 | | | Hinged Panel Kit incl. AL Panel |
| ASPHK8 | | | Hinged Panel Kit w/o Panel |
| AMFL8 | | | Mounting Flange Set for 8" Wide Enclosure |



ARCA AR 1084

10 x 8

UL Type 4, 4X, 6, 6P, 12 and 13

Including: 10-32 brass inserts, cover with formed in place PUR gasket. Enclosure mounting foot kit. 10-32 screws for panel mounting. Screw cover versions with 4 stainless cover screws. Hinged screw cover versions with stainless hinge pin and 2 cover screws. Hinged cover versions with latched cover and stainless hinge pin. Quick release latches. (Latch options available.)

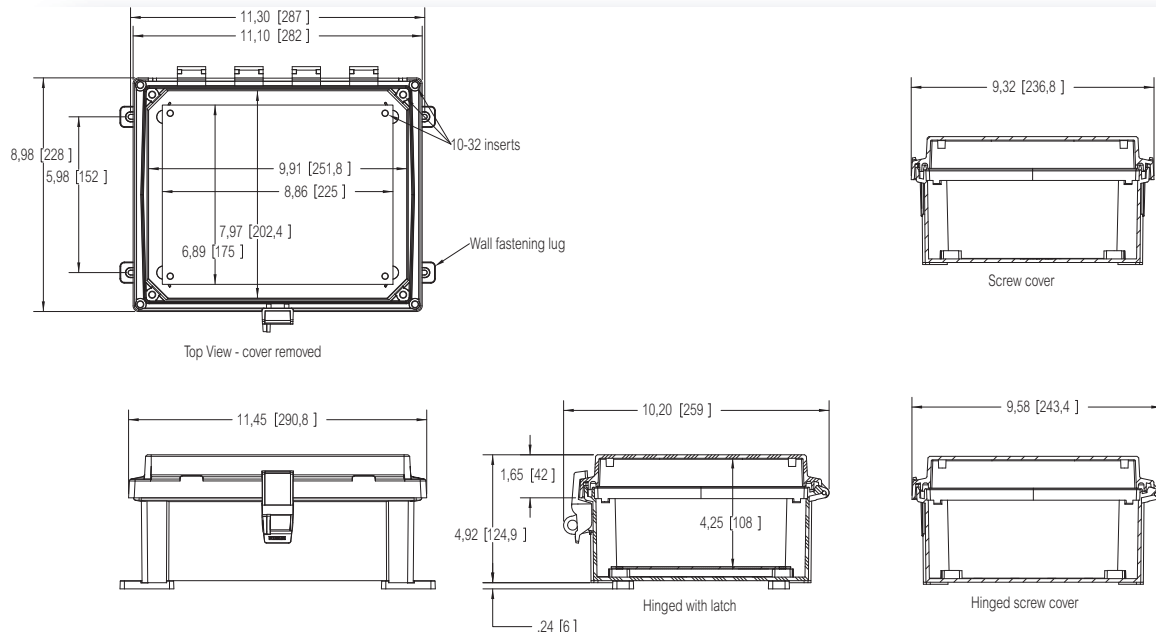


Enclosures

| Order symbol | Dimensions inch | Dimensions mm | Description |
|--------------|-----------------|-----------------|---|
| AR1084SC | 10 x 8 x 4 | 254 x 203 x 102 | PC Enclosure • Opaque screw cover |
| AR1084CHSC | 10 x 8 x 4 | 254 x 203 x 102 | PC Enclosure • Hinged opaque screw cover |
| AR1084CHL | 10 x 8 x 4 | 254 x 203 x 102 | PC Enclosure • Hinged opaque cover w/Plastic quick release latch |
| AR1084CHSSL | 10 x 8 x 4 | 254 x 203 x 102 | PC Enclosure • Hinged opaque cover w/S.S. Lockable latch |
| AR1084CHSS | 10 x 8 x 4 | 254 x 203 x 102 | PC Enclosure • Hinged opaque cover w/S.S. Quick release latch |
| AR1084CHTSS | 10 x 8 x 4 | 254 x 203 x 102 | PC Enclosure • Hinged opaque cover w/S.S. Lockable twist latch |
| AR1084SCT | 10 x 8 x 4 | 254 x 203 x 102 | PC Enclosure • Transparent screw cover |
| AR1084CHSCT | 10 x 8 x 4 | 254 x 203 x 102 | PC Enclosure • Hinged transparent screw cover |
| AR1084CHLT | 10 x 8 x 4 | 254 x 203 x 102 | PC Enclosure • Hinged Transparent Cover w/Plastic Quick Release Latch |
| AR1084CHSSLT | 10 x 8 x 4 | 254 x 203 x 102 | PC Enclosure • Hinged transparent cover w/S.S. Lockable latch |
| AR1084CHSST | 10 x 8 x 4 | 254 x 203 x 102 | PC Enclosure • Hinged transparent cover w/S.S. Quick release latch |
| AR1084CHTSST | 10 x 8 x 4 | 254 x 203 x 102 | PC Enclosure • Hinged transparent cover w/S.S. Lockable twist latch |

Accessories

| Order symbol | Dimensions inch | Dimensions mm | Description |
|--------------|-----------------|---------------|---|
| APBP108 | 8.9 x 6.9 | 226 x 175 | PVC Back Panel |
| ABP108 | 8.9 x 6.9 | 226 x 175 | Painted Steel Back Panel |
| ALBP108 | 8.9 x 6.9 | 226 x 175 | Aluminum Back Panel |
| ADFP108 | 8.2 x 10.1 | 208 x 256 | Dead Front Panel w/ screws |
| ASPK108 | | | Hinged Panel Kit incl. AL Panel |
| ASPHK10 | | | Hinged Panel Kit w/o Panel |
| AMFL8 | | | Mounting Flange Set for 8" Wide Enclosure |





ARCA AR 1086

10 x 8

UL Type 4, 4X, 6, 6P, 12 and 13

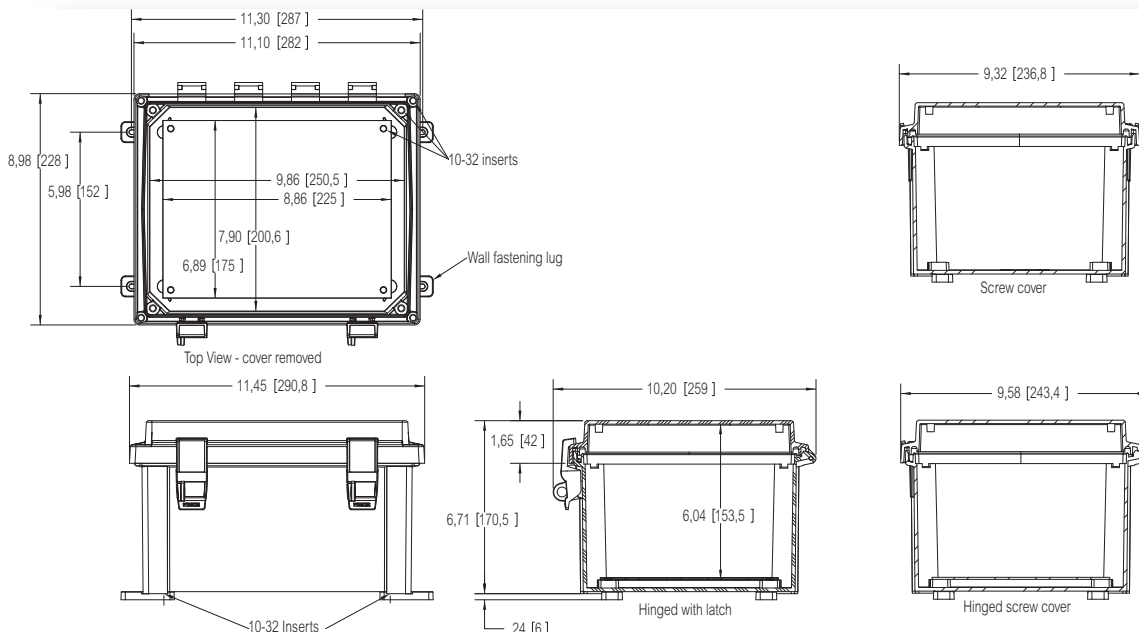
Including: 10-32 brass inserts, cover with formed in place PUR gasket. Enclosure mounting foot kit. 10-32 screws for panel mounting. Screw cover versions with 4 stainless cover screws. Hinged screw cover versions with stainless hinge pin and 2 cover screws. Hinged cover versions with latched cover and stainless hinge pin. Quick release latches. (Latch options available.)

Enclosures

| Order symbol | Dimensions inch | Dimensions mm | Description |
|--------------|-----------------|-----------------|--|
| AR1086SC | 10 x 8 x 6 | 254 x 203 x 152 | PC Enclosure • Opaque screw cover |
| AR1086CHSC | 10 x 8 x 6 | 254 x 203 x 152 | PC Enclosure • Hinged opaque screw cover |
| AR1086CHL | 10 x 8 x 6 | 254 x 203 x 152 | PC Enclosure • Hinged opaque cover w/Plastic quick release latch |
| AR1086CHSSL | 10 x 8 x 6 | 254 x 203 x 152 | PC Enclosure • Hinged opaque cover w/S.S. Lockable latch |
| AR1086CHSS | 10 x 8 x 6 | 254 x 203 x 152 | PC Enclosure • Hinged opaque cover w/S.S. Quick release latch |
| AR1086CHTSS | 10 x 8 x 6 | 254 x 203 x 152 | PC Enclosure • Hinged opaque cover w/S.S. Lockable twist latch |
| AR1086SCT | 10 x 8 x 6 | 254 x 203 x 152 | PC Enclosure • Transparent screw cover |
| AR1086CHSCT | 10 x 8 x 6 | 254 x 203 x 152 | PC Enclosure • Hinged transparent screw cover |
| AR1086CHLT | 10 x 8 x 6 | 254 x 203 x 152 | PC Enclosure • Hinged transparent cover w/Plastic quick release launch |
| AR1086CHSSLT | 10 x 8 x 6 | 254 x 203 x 152 | PC Enclosure • Hinged transparent cover w/S.S. Lockable latch |
| AR1086CHSST | 10 x 8 x 6 | 254 x 203 x 152 | PC Enclosure • Hinged transparent cover w/S.S. Quick release latch |
| AR1086CHTSST | 10 x 8 x 6 | 254 x 203 x 152 | PC Enclosure • Hinged transparent cover w/S.S. Lockable twist latch |

Accessories

| Order symbol | Dimensions inch | Dimensions mm | Description |
|--------------|-----------------|---------------|---|
| APBP108 | 8.9 x 6.9 | 226 x 175 | PVC Back Panel |
| ABP108 | 8.9 x 6.9 | 226 x 175 | Painted Steel Back Panel |
| ALBP108 | 8.9 x 6.9 | 226 x 175 | Aluminum Back Panel |
| ADFP108 | 8.2 x 10.1 | 208 x 256 | Dead Front Panel w/ screws |
| ASPK108 | | | Hinged Panel Kit incl. AL Panel |
| AMFL8 | | | Mounting Flange Set for 8" Wide Enclosure |
| ASPHK10 | | | Hinged Panel Kit w/o Panel |



ARCA AR 10106

10 x 10

UL Type 4, 4X, 6, 6P, 12 and 13



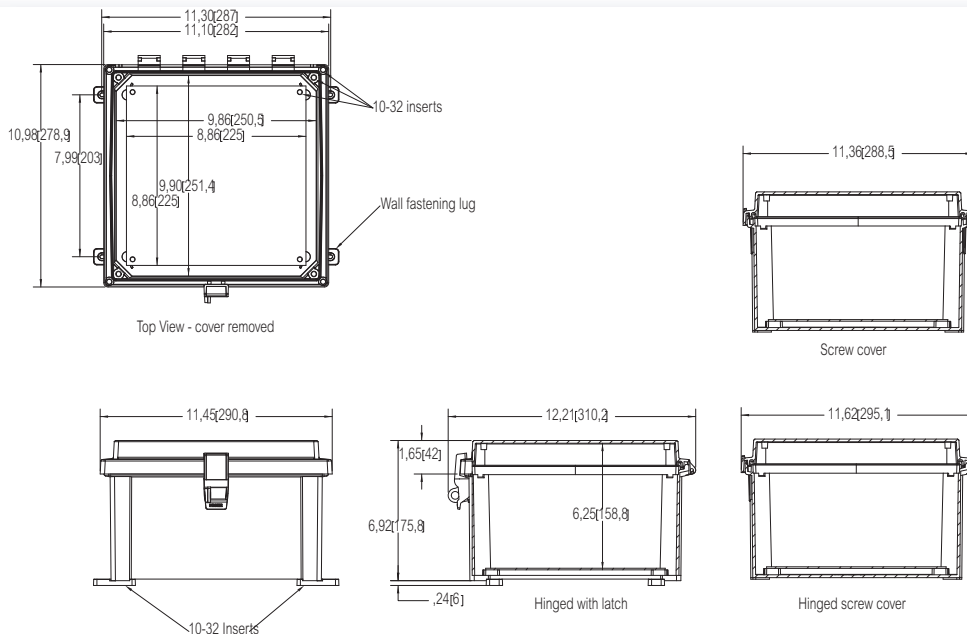
Including: 10-32 brass inserts, cover with formed in place PUR gasket. Enclosure mounting foot kit. 10-32 screws for panel mounting. Screw cover versions with 4 stainless cover screws. Hinged screw cover versions with stainless hinge pin and 2 cover screws. Hinged cover versions with latched cover and stainless hinge pin. Quick release latches. (Latch options available.)

Enclosures

| Order symbol | Dimensions inch | Dimensions mm | Description |
|---------------|-----------------|-----------------|---|
| AR10106SC | 10 x 10 x 6 | 254 x 254 x 152 | PC Enclosure • Opaque screw cover |
| AR10106CHSC | 10 x 10 x 6 | 254 x 254 x 152 | PC Enclosure • Hinged opaque screw cover |
| AR10106CHL | 10 x 10 x 6 | 254 x 254 x 152 | PC Enclosure • Hinged opaque cover w/Plastic quick release latch |
| AR10106CHSSL | 10 x 10 x 6 | 254 x 254 x 152 | PC Enclosure • Hinged opaque cover w/S.S. Lockable latch |
| AR10106CHSS | 10 x 10 x 6 | 254 x 254 x 152 | PC Enclosure • Hinged opaque cover w/S.S. Quick release latch |
| AR10106CHTSS | 10 x 10 x 6 | 254 x 254 x 152 | PC Enclosure • Hinged opaque cover w/S.S. Lockable twist latch |
| AR10106SCT | 10 x 10 x 6 | 254 x 254 x 152 | PC Enclosure • Transparent screw cover |
| AR10106CHST | 10 x 10 x 6 | 254 x 254 x 152 | PC Enclosure • Hinged transparent screw cover |
| AR10106CHLT | 10 x 10 x 6 | 254 x 254 x 152 | PC Enclosure • Hinged transparent cover w/Plastic quick release latch |
| AR10106CHSSLT | 10 x 10 x 6 | 254 x 254 x 152 | PC Enclosure • Hinged transparent cover w/S.S. Lockable latch |
| AR10106CHSST | 10 x 10 x 6 | 254 x 254 x 152 | PC Enclosure • Hinged transparent cover w/S.S. Quick release latch |
| AR10106CHTSST | 10 x 10 x 6 | 254 x 254 x 152 | PC Enclosure • Hinged transparent cover w/S.S. Lockable twist latch |

Accessories

| Order symbol | Dimensions inch | Dimensions mm | Description |
|--------------|-----------------|---------------|--|
| APBP1010 | 8.9 x 8.9 | 226 x 226 | PVC Back Panel |
| ABP1010 | 8.9 x 8.9 | 226 x 226 | Painted Steel Back Panel |
| ALBP1010 | 8.9 x 8.9 | 226 x 226 | Aluminum Back Panel |
| ADFP1010 | 10.1 x 10.1 | 256 x 256 | Dead Front Panel w/ screws |
| ASPK1010 | | | Hinged Panel Kit incl. AL Panel |
| ASPHK10 | | | Hinged Panel Kit w/o Panel |
| AMFL10 | | | Mounting Flange Set for 10" Wide Enclosure |





ARCA AR 12106

12 x 10

UL Type 4, 4X, 6, 6P, 12 and 13

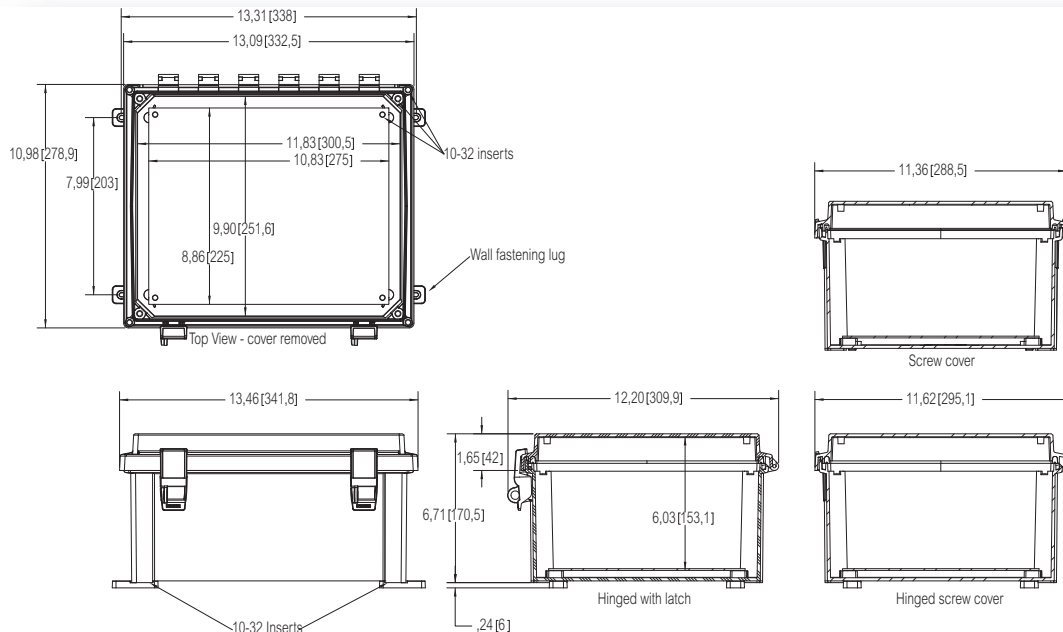
Including: 10-32 brass inserts, cover with formed in place PUR gasket. Enclosure mounting foot kit. 10-32 screws for panel mounting. Screw cover versions with 4 stainless cover screws. Hinged screw cover versions with stainless hinge pin and 2 cover screws. Hinged cover versions with latched cover and stainless hinge pin. Quick release latches. (Latch options available.)

Enclosures

| Order symbol | Dimensions inch | Dimensions mm | Description |
|---------------|-----------------|-----------------|--|
| AR12106SC | 12 x 10 x 6 | 305 x 254 x 152 | PC Enclosure • Opaque screw cover |
| AR12106CHSC | 12 x 10 x 6 | 305 x 254 x 152 | PC Enclosure • Hinged opaque screw cover |
| AR12106CHL | 12 x 10 x 6 | 305 x 254 x 152 | PC Enclosure • Hinged opaque cover w/Plastic quick release latch |
| AR12106CHSSL | 12 x 10 x 6 | 305 x 254 x 152 | PC Enclosure • Hinged opaque cover w/S.S. Lockable latch |
| AR12106CHSS | 12 x 10 x 6 | 305 x 254 x 152 | PC Enclosure • Hinged opaque cover w/S.S. Quick release latch |
| AR12106CHTSS | 12 x 10 x 6 | 305 x 254 x 152 | PC Enclosure • Hinged opaque cover w/S.S. Lockable twist latch |
| AR12106SCT | 12 x 10 x 6 | 305 x 254 x 152 | PC Enclosure • Transparent screw cover |
| AR12106CHSCT | 12 x 10 x 6 | 305 x 254 x 152 | PC Enclosure • Hinged transparent screw cover |
| AR12106CHLT | 12 x 10 x 6 | 305 x 254 x 152 | PC Enclosure • Hinged transparent cover w/Plastic quick release launch |
| AR12106CHSSLT | 12 x 10 x 6 | 305 x 254 x 152 | PC Enclosure • Hinged transparent cover w/S.S. Lockable latch |
| AR12106CHSST | 12 x 10 x 6 | 305 x 254 x 152 | PC Enclosure • Hinged transparent cover w/S.S. Quick release latch |
| AR12106CHTSST | 12 x 10 x 6 | 305 x 254 x 152 | PC Enclosure • Hinged transparent cover w/S.S. Lockable twist latch |

Accessories

| Order symbol | Dimensions inch | Dimensions mm | Description |
|--------------|-----------------|---------------|--|
| APBP1210 | 10.8 x 8.9 | 274 x 226 | PVC Back Panel |
| ABP1210 | 10.8 x 8.9 | 274 x 226 | Painted Steel Back Panel |
| ALBP1210 | 10.8 x 8.9 | 274 x 226 | Aluminum Back Panel |
| ADFP1210 | 10.1 x 12.1 | 257 x 307 | Dead Front Panel w/ screws |
| ASPK1210 | | | Hinged Panel Kit incl. AL Panel |
| ASPHK12 | | | Hinged Panel Kit w/o Panel |
| AMFL10 | | | Mounting Flange Set for 10" Wide Enclosure |



ARCA AR 14127

14 x 12

UL Type 4, 4X, 6, 6P, 12 and 13

Including: 10-32 brass inserts, cover with formed in place PUR gasket. Enclosure mounting foot kit. 10-32 screws for panel mounting. Screw cover versions with 4 stainless cover screws. Hinged screw cover versions with stainless hinge pin and 2 cover screws. Hinged cover versions with latched cover and stainless hinge pin. Quick release latches. (Latch options available.)

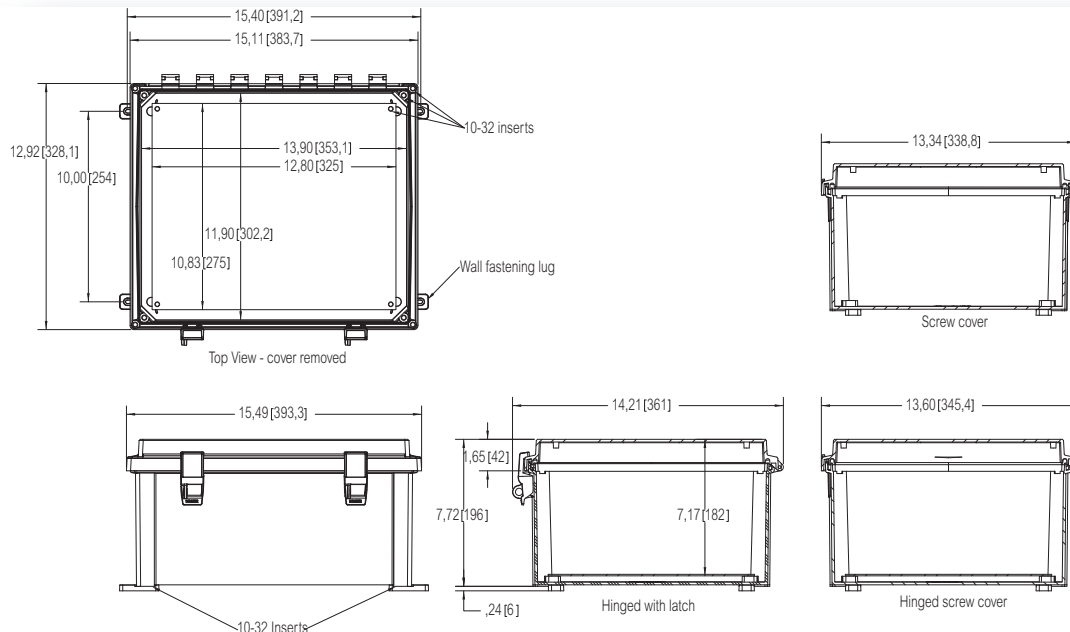


Enclosures

| Order symbol | Dimensions inch | Dimensions mm | Description |
|---------------|-----------------|-----------------|--|
| AR14127SC | 14 x 12 x 7 | 356 x 305 x 178 | PC Enclosure • Opaque screw cover |
| AR14127CHSC | 14 x 12 x 7 | 356 x 305 x 178 | PC Enclosure • Hinged opaque screw cover |
| AR14127CHL | 14 x 12 x 7 | 356 x 305 x 178 | PC Enclosure • Hinged opaque cover w/Plastic quick release latch |
| AR14127CHSSL | 14 x 12 x 7 | 356 x 305 x 178 | PC Enclosure • Hinged opaque cover w/S.S. Lockable latch |
| AR14127CHSS | 14 x 12 x 7 | 356 x 305 x 178 | PC Enclosure • Hinged opaque cover w/S.S. Quick release latch |
| AR14127CHTSS | 14 x 12 x 7 | 356 x 305 x 178 | PC Enclosure • Hinged opaque cover w/S.S. Lockable twist latch |
| AR14127SCT | 14 x 12 x 7 | 356 x 305 x 178 | PC Enclosure • Transparent screw cover |
| AR14127CHSCT | 14 x 12 x 7 | 356 x 305 x 178 | PC Enclosure • Hinged transparent screw cover |
| AR14127CHLT | 14 x 12 x 7 | 356 x 305 x 178 | PC Enclosure • Hinged transparent cover w/Plastic quick release launch |
| AR14127CHSSLT | 14 x 12 x 7 | 356 x 305 x 178 | PC Enclosure • Hinged transparent cover w/S.S. Lockable latch |
| AR14127CHSST | 14 x 12 x 7 | 356 x 305 x 178 | PC Enclosure • Hinged transparent cover w/S.S. Quick release latch |
| AR14127CHTSST | 14 x 12 x 7 | 356 x 305 x 178 | PC Enclosure • Hinged transparent cover w/S.S. Lockable twist latch |

Accessories

| Order symbol | Dimensions inch | Dimensions mm | Description |
|--------------|-----------------|---------------|--|
| APBP1412 | 12.8 x 10.8 | 325 x 274 | PVC Back Panel |
| ABP1412 | 12.8 x 10.8 | 325 x 274 | Painted Steel Back Panel |
| ALBP1412 | 12.8 x 10.8 | 325 x 274 | Aluminum Back Panel |
| ADFP1412 | 12.1 x 14.1 | 308 x 357 | Dead Front Panel w/ screws |
| ASPK1412 | | | Hinged Panel Kit incl. AL Panel |
| ASPHK14 | | | Hinged Panel Kit w/o Panel |
| AMFL12 | | | Mounting Flange Set for 12" Wide Enclosure |





ARCA AR 16148

16 x 14

UL Type 4, 4X, 6, 6P, 12 and 13

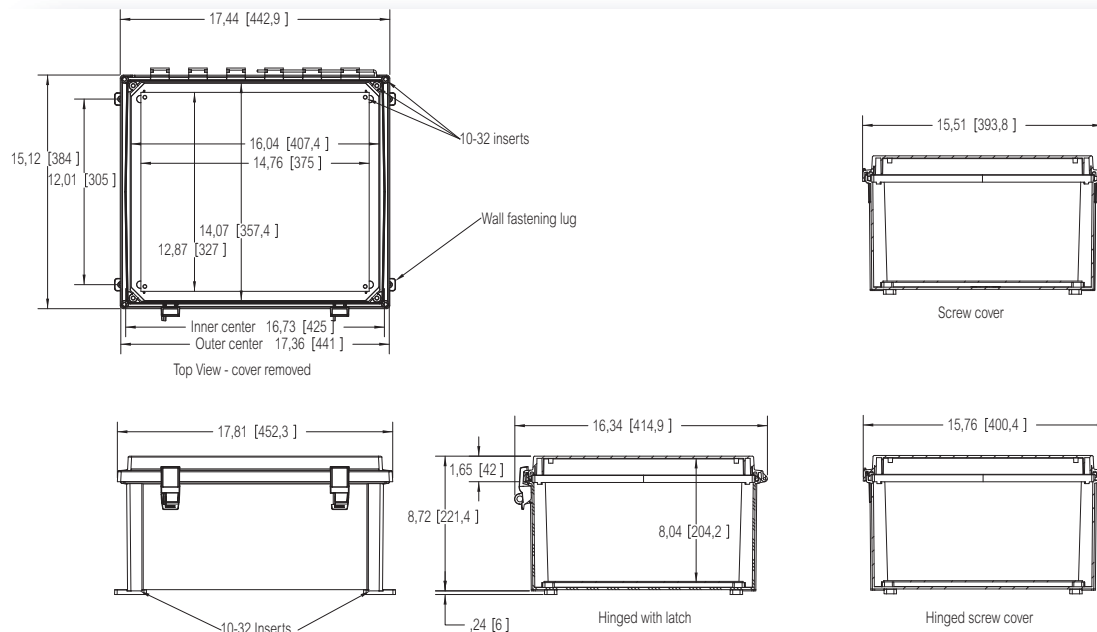
Including: 10-32 brass inserts, cover with formed in place PUR gasket. Enclosure mounting foot kit. 10-32 screws for panel mounting. Screw cover versions with 4 stainless cover screws. Hinged screw cover versions with stainless hinge pin and 2 cover screws. Hinged cover versions with latched cover and stainless hinge pin. Quick release latches. (Latch options available.)

Enclosures

| Order symbol | Dimensions inch | Dimensions mm | Description |
|---------------|-----------------|-----------------|---|
| AR16148SC | 16 x 14 x 8 | 406 x 356 x 203 | PC Enclosure • Opaque screw cover |
| AR16148CHSC | 16 x 14 x 8 | 406 x 356 x 203 | PC Enclosure • Hinged opaque screw cover |
| AR16148CHL | 16 x 14 x 8 | 406 x 356 x 203 | PC Enclosure • Hinged opaque cover w/Plastic quick release latch |
| AR16148CHSSL | 16 x 14 x 8 | 406 x 356 x 203 | PC Enclosure • Hinged opaque cover w/S.S. Lockable latch |
| AR16148CHSS | 16 x 14 x 8 | 406 x 356 x 203 | PC Enclosure • Hinged opaque cover w/S.S. Quick release latch |
| AR16148CHTSS | 16 x 14 x 8 | 406 x 356 x 203 | PC Enclosure • Hinged opaque cover w/S.S. Lockable twist latch |
| AR16148SCT | 16 x 14 x 8 | 406 x 356 x 203 | PC Enclosure • Transparent screw cover |
| AR16148CHSCT | 16 x 14 x 8 | 406 x 356 x 203 | PC Enclosure • Hinged transparent screw cover |
| AR16148CHLT | 16 x 14 x 8 | 406 x 356 x 203 | PC Enclosure • Hinged transparent cover w/Plastic quick release latch |
| AR16148CHSSLT | 16 x 14 x 8 | 406 x 356 x 203 | PC Enclosure • Hinged transparent cover w/S.S. Lockable latch |
| AR16148CHSST | 16 x 14 x 8 | 406 x 356 x 203 | PC Enclosure • Hinged transparent cover w/S.S. Quick release latch |
| AR16148CHTSST | 16 x 14 x 8 | 406 x 356 x 203 | PC Enclosure • Hinged transparent cover w/S.S. Lockable twist latch |

Accessories

| Order symbol | Dimensions inch | Dimensions mm | Description |
|--------------|-----------------|---------------|--|
| APBP1614 | 14.8 x 12.9 | 376 x 328 | PVC Back Panel |
| ABP1614 | 14.8 x 12.9 | 376 x 328 | Painted Steel Back Panel |
| ALBP1614 | 14.8 x 12.9 | 376 x 328 | Aluminum Back Panel |
| ADFP1614 | 14.3 x 16.3 | 362 x 415 | Dead Front Panel w/ screws |
| ASPK1614 | | | Hinged Panel Kit incl. AL Panel |
| ASPHK16 | | | Hinged Panel Kit w/o Panel |
| AMFL14 | | | Mounting Flange Set for 14" Wide Enclosure |



ARCA

AR 181610

18 x 16

UL Type 4, 4X, 6, 6P, 12 and 13

Including: 10-32 brass inserts, cover with formed in place PUR gasket. Enclosure mounting foot kit. 10-32 screws for panel mounting. Screw cover versions with 4 stainless cover screws. Hinged screw cover versions with stainless hinge pin and 2 cover screws. Hinged cover versions with latched cover and stainless hinge pin. Quick release latches. (Latch options available.)

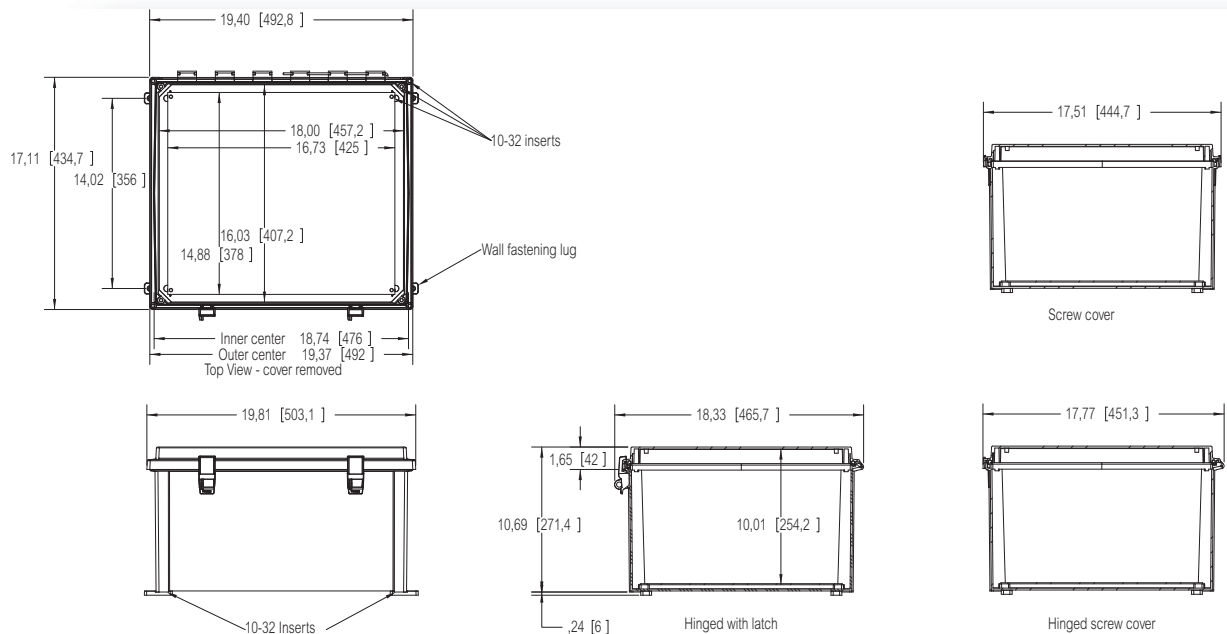


Enclosures

| Order symbol | Dimensions inch | Dimensions mm | Description |
|----------------|-----------------|-----------------|---|
| AR181610SC | 18 x 16 x 10 | 457 x 406 x 254 | PC Enclosure • Opaque screw cover |
| AR181610CHSC | 18 x 16 x 10 | 457 x 406 x 254 | PC Enclosure • Hinged opaque screw cover |
| AR181610CHL | 18 x 16 x 10 | 457 x 406 x 254 | PC Enclosure • Hinged opaque cover w/Plastic quick release latch |
| AR181610CHSSL | 18 x 16 x 10 | 457 x 406 x 254 | PC Enclosure • Hinged opaque cover w/S.S. Lockable latch |
| AR181610CHSS | 18 x 16 x 10 | 457 x 406 x 254 | PC Enclosure • Hinged opaque cover w/S.S. Quick release latch |
| AR181610CHTSS | 18 x 16 x 10 | 457 x 406 x 254 | PC Enclosure • Hinged opaque cover w/S.S. Lockable twist latch |
| AR181610SCT | 18 x 16 x 10 | 457 x 406 x 254 | PC Enclosure • Transparent screw cover |
| AR181610CHSCT | 18 x 16 x 10 | 457 x 406 x 254 | PC Enclosure • Hinged transparent screw cover |
| AR181610CHLT | 18 x 16 x 10 | 457 x 406 x 254 | PC Enclosure • Hinged transparent cover w/Plastic quick release latch |
| AR181610CHSSLT | 18 x 16 x 10 | 457 x 406 x 254 | PC Enclosure • Hinged transparent cover w/S.S. Lockable latch |
| AR181610CHSST | 18 x 16 x 10 | 457 x 406 x 254 | PC Enclosure • Hinged transparent cover w/S.S. Quick release latch |
| AR181610CHTSST | 18 x 16 x 10 | 457 x 406 x 254 | PC Enclosure • Hinged transparent cover w/S.S. Lockable twist latch |

Accessories

| Order symbol | Dimensions inch | Dimensions mm | Description |
|-------------------|-----------------|---------------|--|
| APBP1816 | 16.7 x 14.9 | 424 x 378 | PVC Back Panel |
| ABP1816 | 16.7 x 14.9 | 424 x 378 | Painted Steel Back Panel |
| ALBP1816 | 16.7 x 14.9 | 424 x 378 | Aluminum Back Panel |
| ADFP1816 | 16.2 x 18.3 | 412 x 465 | Dead Front Panel w/ screws |
| APSPK1816 Plastic | | | Hinged Panel Kit incl. AL Panel |
| ASPK1816 | | | Hinged Panel Kit incl. AL Panel |
| AMFL16 | | | Mounting Flange Set for 16" Wide Enclosure |



ACCESSORIES

Order symbol Description

PVC Back Panels

| | |
|----------|---------------------------------|
| APBP66 | 4.9 x 4.9 inch ▪ 124 x 124 mm |
| APBP86 | 6.9 x 4.9 inch ▪ 175 x 124 mm |
| APBP88 | 6.9 x 6.9 inch ▪ 175 x 175 mm |
| APBP108 | 8.9 x 6.9 inch ▪ 226 x 175 mm |
| APBP1010 | 8.9 x 8.9 inch ▪ 226 x 226 mm |
| APBP1210 | 10.8 x 8.9 inch ▪ 274 x 226 mm |
| APBP1412 | 12.8 x 10.8 inch ▪ 325 x 274 mm |
| APBP1614 | 14.8 x 12.9 inch ▪ 376 x 328 mm |
| APBP1816 | 16.7 x 14.9 inch ▪ 424 x 378 mm |



Painted Steel Back Panels

| | |
|---------|---------------------------------|
| ABP66 | 4.9 x 4.9 inch ▪ 124 x 124 mm |
| ABP86 | 6.9 x 4.9 inch ▪ 175 x 124 mm |
| ABP88 | 6.9 x 6.9 inch ▪ 175 x 175 mm |
| ABP108 | 8.9 x 6.9 inch ▪ 226 x 175 mm |
| ABP1010 | 8.9 x 8.9 inch ▪ 226 x 226 mm |
| ABP1210 | 10.8 x 8.9 inch ▪ 274 x 226 mm |
| ABP1412 | 12.8 x 10.8 inch ▪ 325 x 274 mm |
| ABP1614 | 14.8 x 12.9 inch ▪ 376 x 328 mm |
| ABP1816 | 16.7 x 14.9 inch ▪ 424 x 378 mm |



Aluminum Back Panels

| | |
|----------|---------------------------------|
| ALBP66 | 4.9 x 4.9 inch ▪ 124 x 124 mm |
| ALBP86 | 6.9 x 4.9 inch ▪ 175 x 124 mm |
| ALBP88 | 6.9 x 6.9 inch ▪ 175 x 175 mm |
| ALBP108 | 8.9 x 6.9 inch ▪ 226 x 175 mm |
| ALBP1210 | 10.8 x 8.9 inch ▪ 274 x 226 mm |
| ALBP1010 | 8.9 x 8.9 inch ▪ 226 x 226 mm |
| ALBP1412 | 12.8 x 10.8 inch ▪ 325 x 274 mm |
| ALBP1614 | 14.8 x 12.9 inch ▪ 376 x 328 mm |
| ALBP1816 | 16.7 x 14.9 inch ▪ 424 x 378 mm |



Fixed Aluminum Dead Front Panels

| | |
|----------|---------------------------------|
| ADFP66 | 6.1 x 6.2 inch ▪ 155 x 157 mm |
| ADFP86 | 6.2 x 8.1 inch ▪ 157 x 205 mm |
| ADFP88 | 6.9 x 6.9 inch ▪ 175 x 175 mm |
| ADFP108 | 8.2 x 10.1 inch ▪ 208 x 256 mm |
| ADFP1010 | 10.1 x 10.1 inch ▪ 256 x 256 mm |
| ADFP1210 | 10.1 x 12.1 inch ▪ 257 x 307 mm |
| ADFP1412 | 12.1 x 14.1 inch ▪ 308 x 357 mm |
| ADFP1614 | 14.3 x 16.3 inch ▪ 362 x 415 mm |
| ADFP1816 | 16.2 x 18.3 inch ▪ 412 x 465 mm |



Mounting Foot Kits

| | |
|--------|-----------------------------|
| AMFK | Mounting Foot Kit - ARCA |
| AMFKSS | SS Mounting Foot Kit - ARCA |



Mounting Flange Sets

| | |
|--------|--|
| AMFL6 | Mounting Flange Set for 6" wide enclosure |
| AMFL8 | Mounting Flange Set for 8" wide enclosure |
| AMFL10 | Mounting Flange Set for 10" wide enclosure |
| AMFL12 | Mounting Flange Set for 12" wide enclosure |
| AMFL14 | Mounting Flange Set for 14" wide enclosure |
| AMFL16 | Mounting Flange Set for 16" wide enclosure |

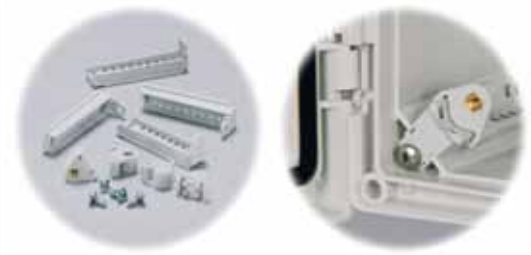


ACCESSORIES

Order symbol Description

Variable Depth Back Panel Kits

| | |
|-------|--------------------------|
| AVBK3 | Back Panel Kit - 3" Base |
| AVBK4 | Back Panel Kit - 4" base |
| AVBK5 | Back Panel Kit - 5" Base |
| AVBK6 | Back Panel Kit - 6" Base |



Latches

| | |
|-------|------------------------|
| AQRL | Plastic Latch |
| ASSLL | SS Lockable Latch |
| ASSQL | SS Quick Release Latch |
| ATSS | SS Twist Latch |



Hinged Inner Aluminum Panels

| | |
|----------|---------------------------------|
| ASPK66 | Hinged Panel Kit incl. AL Panel |
| ASPK86 | Hinged Panel Kit incl. AL Panel |
| ASPK88 | Hinged Panel Kit incl. AL Panel |
| ASPK108 | Hinged Panel Kit incl. AL Panel |
| ASPK1010 | Hinged Panel Kit incl. AL Panel |
| ASPK1210 | Hinged Panel Kit incl. AL Panel |
| ASPK1412 | Hinged Panel Kit incl. AL Panel |
| ASPK1614 | Hinged Panel Kit incl. AL Panel |
| ASPK1816 | Hinged Panel Kit incl. AL Panel |
| ASPHK6 | Hinged Panel Kit w/o Panel |
| ASPHK8 | Hinged Panel Kit w/o Panel |
| ASPHK10 | Hinged Panel Kit w/o Panel |
| ASPHK12 | Hinged Panel Kit w/o Panel |
| ASPHK14 | Hinged Panel Kit w/o Panel |
| ASPHK16 | Hinged Panel Kit w/o Panel |
| ASPHK18 | Hinged Panel Kit w/o Panel |



ARCA technical information

| Property | Polycarbonate (PC) |
|---|--|
| Ingress Protection (EN 60529) | IP 66/67 |
| Impact Resistance (EN 62262) | Impact rating per UL 508 / UL 50 |
| Temperature Range Celsius (short term) | -40° . . 140°C |
| Temperature Range Celsius (continuous) | -40° . . 80°C |
| Temperature Range Fahrenheit (short term) | -40° . . 284°F |
| Temperature Range Fahrenheit (continuous) | -40° . . 175°F |
| Electrical Insulation | Totally insulated ☑ |
| Color | RAL 7035 - Light Gray |
| Cover screws and hardware | 10-32, stainless steel |
| Accessory mounting screws | 10-32, stainless steel |
| Gasket | Polyurethane, formed in place |
| Flammability rating | Enclosure flammability rating per UL 508 |
| Toxicity | Non-Toxic, halogen free, RoHS compliant |
| | |
| | |

Conformity to standards

USA Enclosures for Electrical Equipment
UL Type 4, 4X, 6, 6P, 12 and 13

NRTL Listing
Underwriters Laboratories UL
cUL Listed under UL 508
SGS FIMKO CE Conformity

RoHS directive 2002/95/EC

GostR - Gost Russian certificate of conformity

Data subject to change without notice.

*Consult separate raw material data for more detailed information