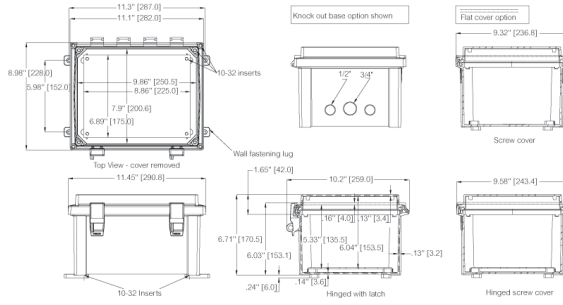




**SAMPLE IMAGE**



**Product #:** 8561502

**Order Symbol:** ARK1086SC

**Description:** 10 x 8 x 6 Inch PC Enclosure with Knock-Out Base, Screw cover Opaque

**Remarks:** PC Enclosure with Knock-Out Base, Screw cover Opaque

Dimensions	Height	Width	Depth
Inch	10	8	6
mm	254	203.2	152.4

Materials	
Material:	Polycarbonate
Base color:	RAL 7035 -light grey
Cover color:	RAL 7035 -light grey
Gasket material:	Polyurethane

Temperatures	
Temperature °F (short term):	-40 ... 250
Temperature °F (continuous):	-40 ... 175
Temperature °C (short term):	-40 ... 140
Temperature °C (continuous):	-40 ... 80

Ratings	
Ingress Protection (EN 60529):	IP66; IP67;
Impact Resistance (EN 62262):	IK09;
Electrical insulation:	Fully insulated
Halogen free (DIN/VDE 0472, Part 815):	Yes
UV resistance:	UL 508
Flammability Rating:	UL94-5VA (f1)
Glow Wire Test (IEC 60695):	960 °C
UL/cUL Type:	NEMA 4, 4X, 6, 6P, 12, 12K and 13